

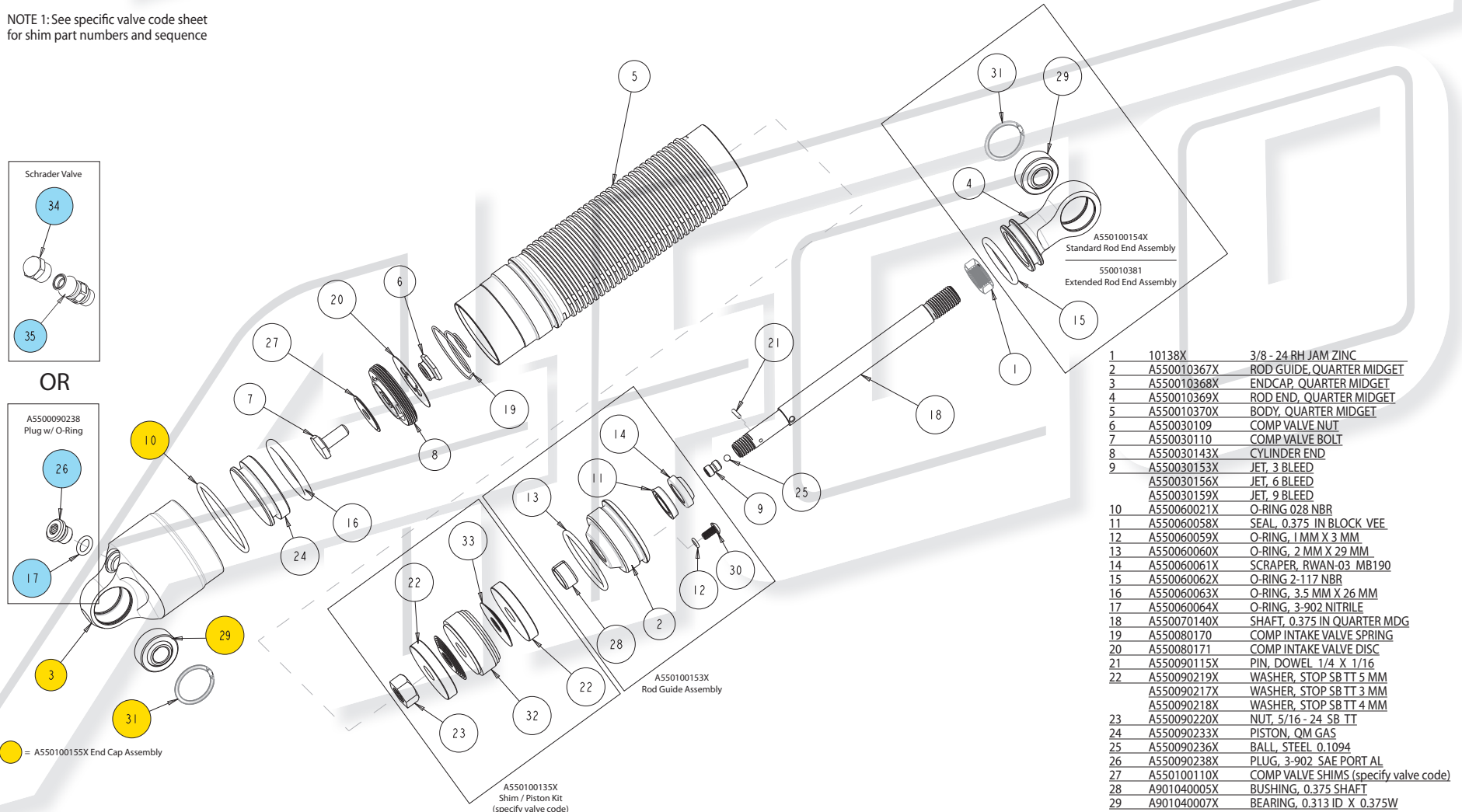
Quarter Midget

51 Series Non-Adjustable

LIT 503 REV E

QUARTER MIDGET MAIN EXPLODED VIEW / COMPONENT LIST

NOTE 1: See specific valve code sheet for shim part numbers and sequence



1	10138X	3/8 - 24 RH JAM ZINC
2	A550010367X	ROD GUIDE, QUARTER MIDGET
3	A550010368X	ENDCAP, QUARTER MIDGET
4	A550010369X	ROD END, QUARTER MIDGET
5	A550010370X	BODY, QUARTER MIDGET
6	A550030109	COMP VALVE NUT
7	A550030110	COMP VALVE BOLT
8	A550030143X	CYLINDER END
9	A550030153X	JET, 3 BLEED
	A550030156X	JET, 6 BLEED
	A550030159X	JET, 9 BLEED
10	A550060021X	O-RING 028 NBR
11	A550060058X	SEAL, 0.375 IN BLOCK VEE
12	A550060059X	O-RING, 1 MM X 3 MM
13	A550060060X	O-RING, 2 MM X 29 MM
14	A550060061X	SCRAPER, RWAN-03 MB190
15	A550060062X	O-RING 2-117 NBR
16	A550060063X	O-RING, 3.5 MM X 26 MM
17	A550060064X	O-RING, 3-902 NITRILE
18	A550070140X	SHAFT, 0.375 IN QUARTER MDG
19	A550080170	COMP INTAKE VALVE SPRING
20	A550080171	COMP INTAKE VALVE DISC
21	A550090115X	PIN, DOWEL 1/4 X 1/16
22	A550090219X	WASHER, STOP SB TT 5 MM
	A550090217X	WASHER, STOP SB TT 3 MM
	A550090218X	WASHER, STOP SB TT 4 MM
23	A550090220X	NUT, 5/16 - 24 SB TT
24	A550090233X	PISTON, QM GAS
25	A550090236X	BALL, STEEL 0.1094
26	A550090238X	PLUG, 3-902 SAE PORT AL
27	A550100110X	COMP VALVE SHIMS (specify valve code)
28	A901040005X	BUSHING, 0.375 SHAFT
29	A901040007X	BEARING, 0.313 ID X 0.375W
30	A901060026X	BHCS, 5-40 X 0.25 SS
31	A901080014X	CLIP, RETAINING 0.75 BORE SS
32	A550010351X	PISTON 3 CIRCLE
	A550010352X	PISTON 6 CIRCLE
33	SHIM STACK 30MM	GENERIC 30MM SHIM STACK
34	MT59080-1	CAP, SCHRADER VALVE
35	20107X	VALVE, SCHRADER W/ O-RING